

# Technische Daten/ Technical Data

KLUDI L STEEL  
kitchen faucet  
DN 15

Ref.: 45803F877

Finishes:  
F8 stainless steel hairline finish

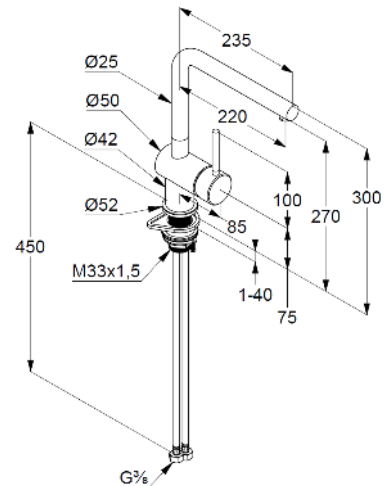
Product description  
Manufacturer KLUDI GmbH & Co. KG  
Typ: KLUDI L STEEL  
kitchen faucet  
Ref.: 45803F877

kitchen faucet  
single lever mixer  
1-hole mounted  
solid lever, metal  
lateral actuation  
aerator M18 laminar  
ceramic cartridge  
flow rate at 3 bar 9 l/min.  
swivel spout  
flexible hoses G3/8 DVGW approved  
shank-fixing

## Produktabbildung/ Product picture



## Maßzeichnung/ Dimensional drawing



## Durchfluss/ Flow rate

