

## Technische Daten/ Technical Data

KLUDI LOGO  
THERMOSTAT DUAL SHOWER SYSTEM  
DN 15

Ref.: 6809405-00

Finishes:  
05 chrome

Product description  
Manufacturer KLUDI GmbH & Co. KG  
Typ: KLUDI LOGO  
THERMOSTAT DUAL SHOWER SYSTEM  
Ref.: 6809405-00

thermostatic shower mixer  
for wall mounting  
with ceramic shut-off valve 90°/90°  
temperature handle with hot water safety at 40°C  
shower outlet G1/2  
protected against back flow  
with integrated back flow preventer  
S-unions G1/2 x G3/4  
with dirt-catcher sieve  
with fixing material  
height-adjustable hand shower holder

hand shower 1 S  
1 spray pattern  
volume  
with cleaning system  
sieve seal

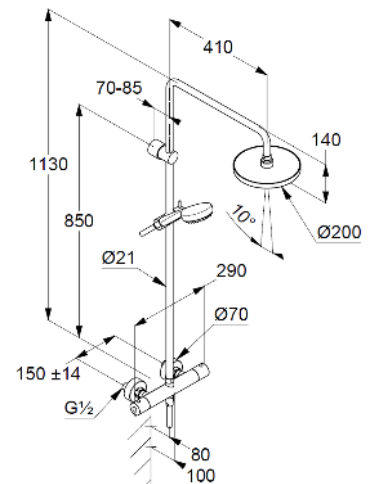
shower hose  
plastic coated  
with conical nuts  
G1/2 x G1/2 x 1600mm

head shower 1 S  
Ø 200mm  
1 spray pattern  
with cleaning system  
connection G1/2  
with ball joint  
sieve seal

Produktabbildung/ Product picture



Maßzeichnung/ Dimensional drawing



Durchfluss/ Flow rate

